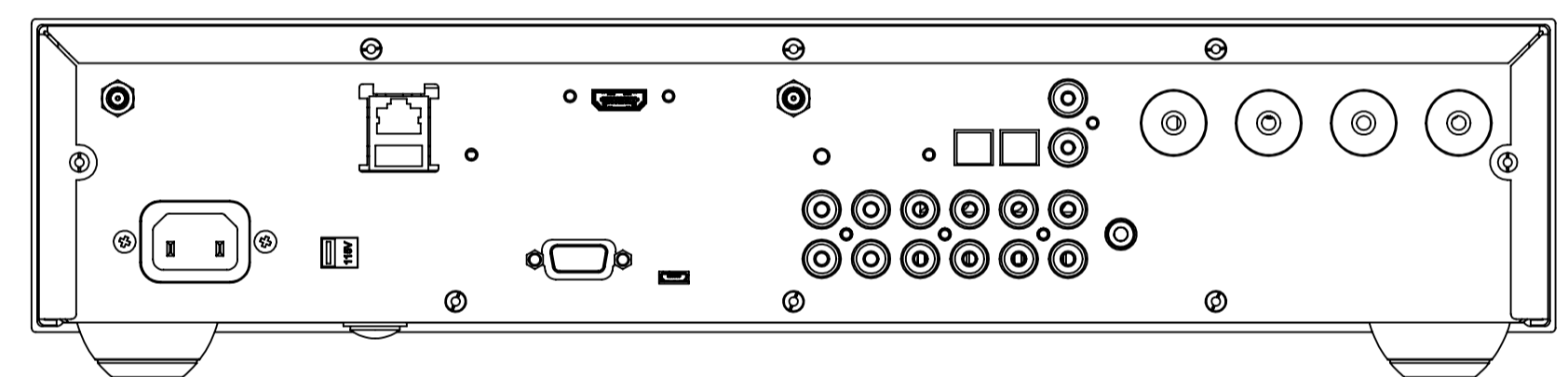
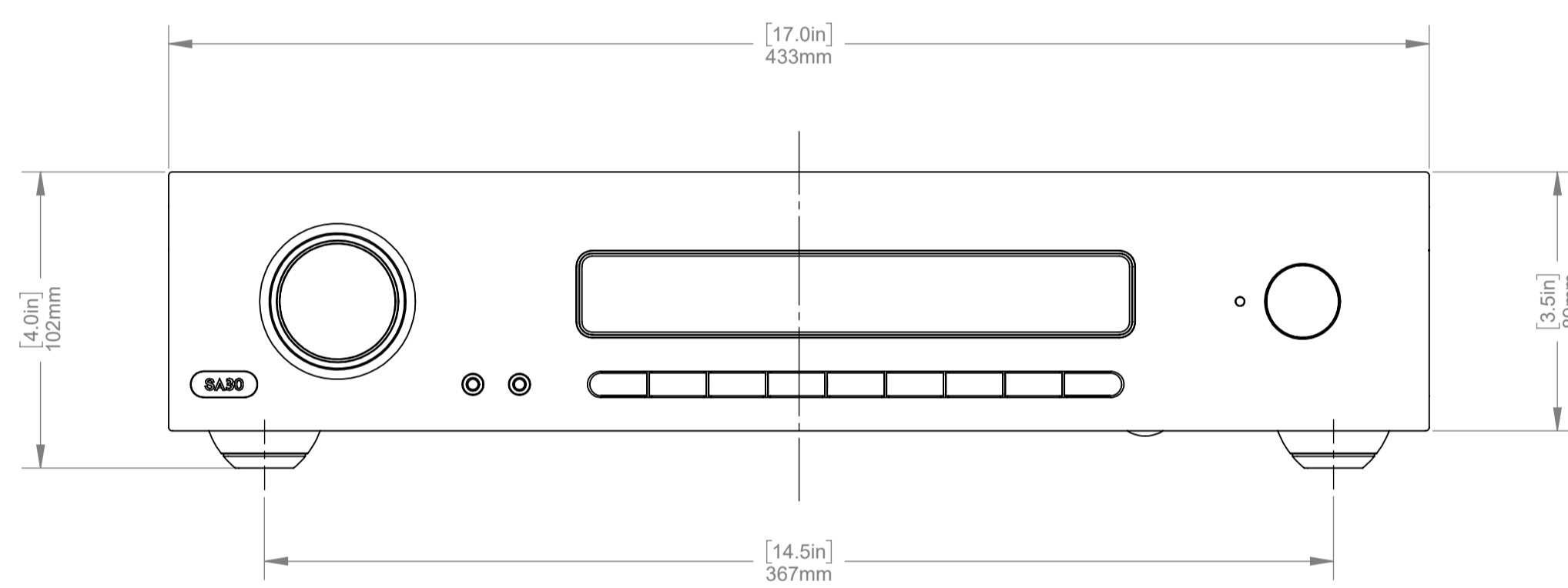
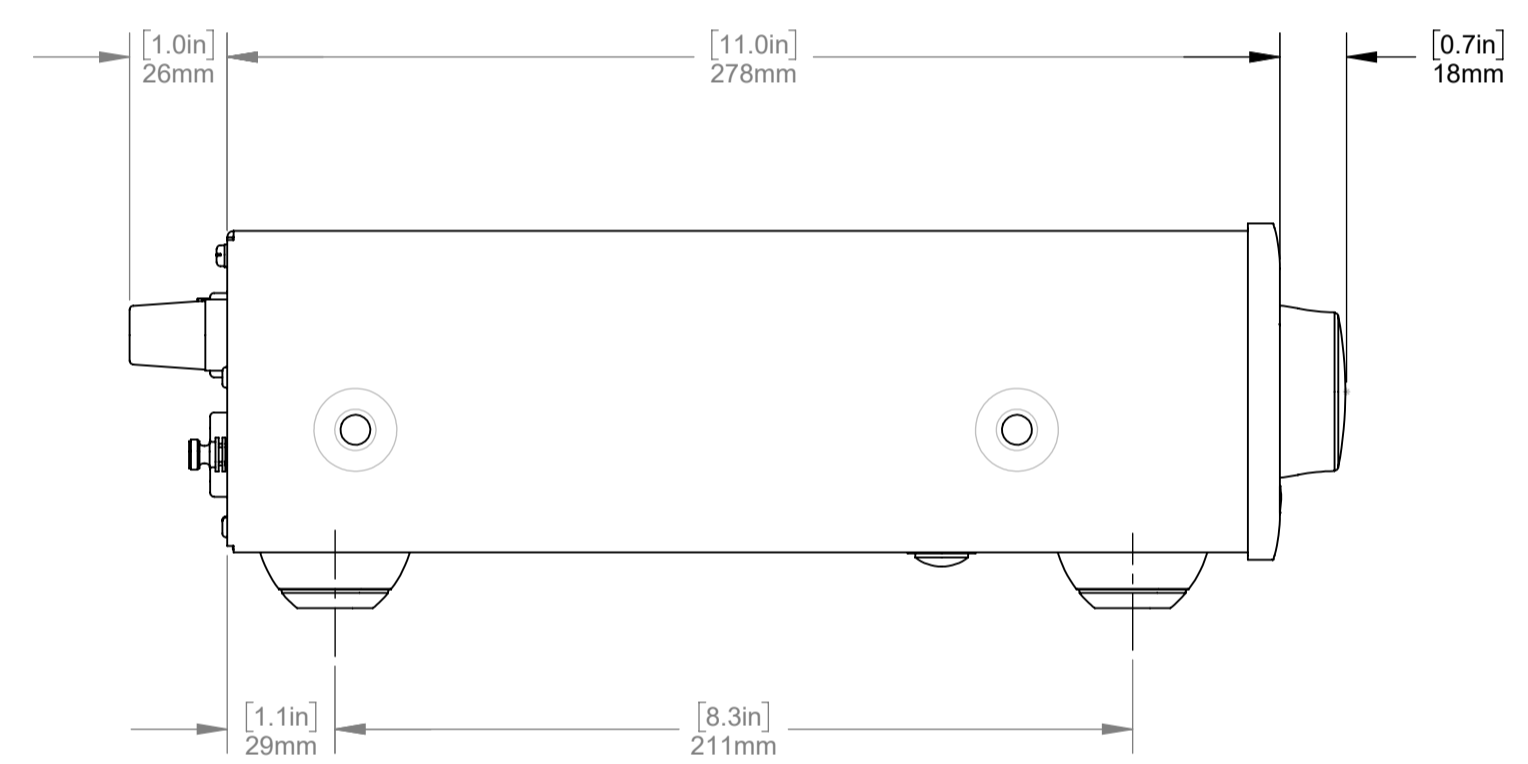
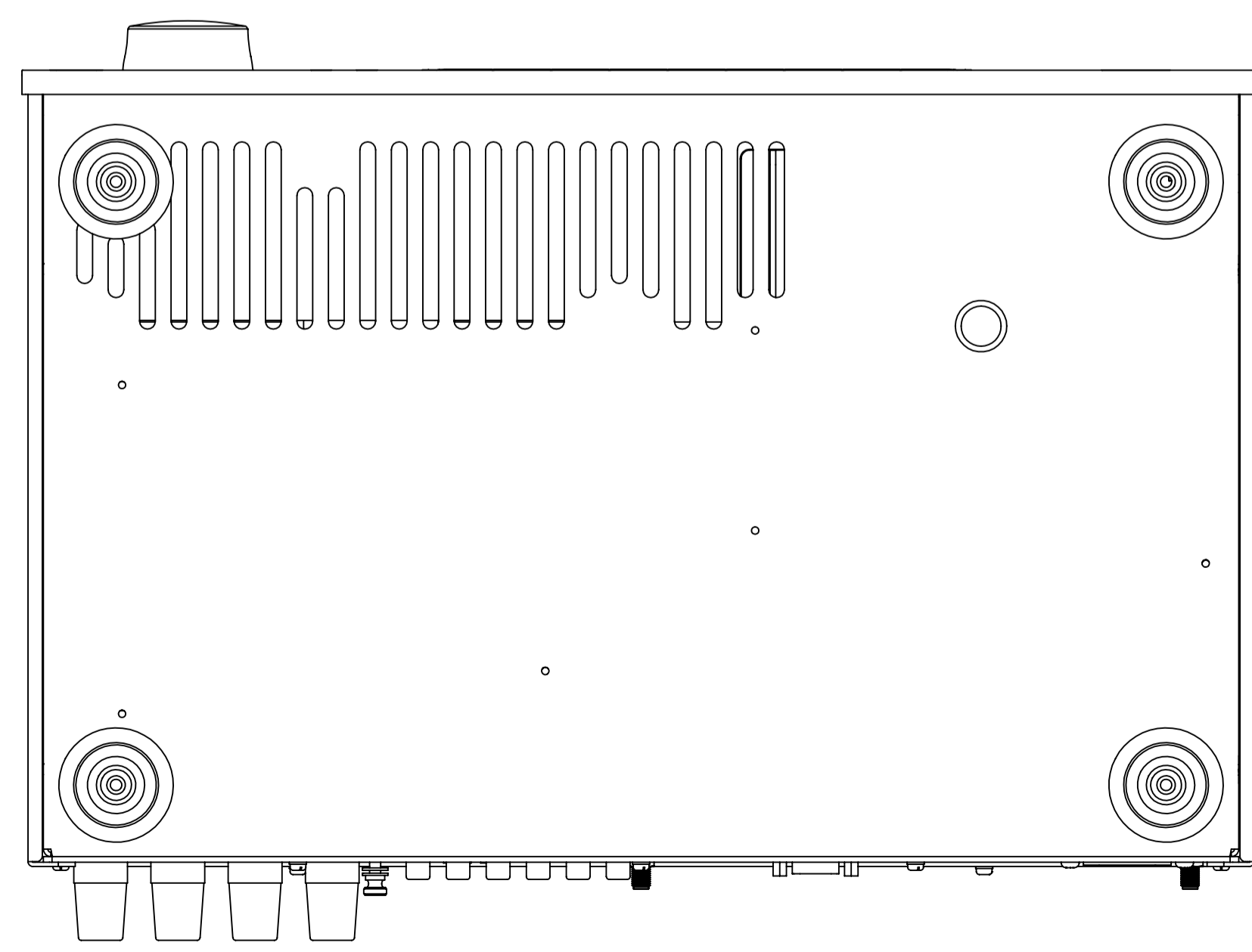


ECO NR.	DATE	CHG.	ZONE	DESCRIPTION OF CHANGE	REL.	DR.	CHK.
--	--	--	--	--	--	--	--
--	--	--	--	--	--	--	--
--	--	--	--	--	--	--	--
--	--	--	--	--	--	--	--

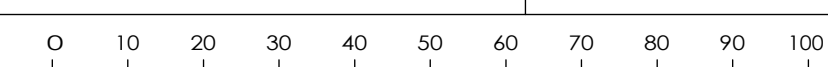


REAR VIEW



NOTE:
ALLOW ADEQUATE CLEARANCE
AROUND THE PRODUCT FOR
VENTILATION & CONNECTION

ARCAM A & R CAMBRIDGE LTD <small>LINEAR TOLERANCE: ±0.2MM UNLESS OTHERWISE STATED ANGULAR TOLERANCE: ±1° UNLESS OTHERWISE STATED</small>	DATE:	1-5-2019	DRAWN BY:	MCM
	CHECKED BY:	--		
MATERIAL:	ORIGINAL SCALE 1:2.5			
FINISH:				
PART NUMBER AND DRAWING NUMBER	SA30			
DRAWING TITLE	SA30 ASSEMBLY			



A1